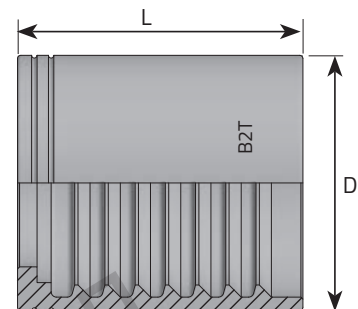




## FERRULE FOR 2SN/R2AT

BOCCOLA PER TUBO 2SN/R2AT  
 JUPE POUR 2SN/R2AT  
 PRESSHÜLSE 2SN/R2AT  
 CASQUILLO PARA 2SN/R2AT



No skive - Senza pelatura - Non-dénudable -  
 Nichtschaelfassung - Sin pelar

IDENTIFICATION: PRINTED CODE OR SCRATCHES

Code	Tube			Thread	Dimensions		Pressure
	D.N.	Hose	Diam		D	L	
		Inch	mm		mm	mm	
B2T03	-3	3/16"	4.8		20	26	
B2T04	-4	1/4"	6.4		22	30	
B2T05	-5	5/16"	7.9		24	30.5	
B2T06	-6	3/8"	9.5		25.5	31.5	
B2T08	-8	1/2"	12.8		30	34	
B2T10	-10	5/8"	16		34	37	
B2T12	-12	3/4"	19		38	42.5	
B2T16	-16	1"	25.4		46	50	
B2T20	-20	1.1/4"	31.8		56	59	
B2T24	-24	1.1/2"	38.1		64	63	